

INV803F-RTN

8 Megapixel Fixed Dome Camera with IR LED

Infinique offers a wide range of IP based high definition cameras available in various housing formats, including Box, Dome and Bullet. Our cameras are equipped with superior image sensor and digital signal processor to produce sharp, crisp pictures and are enclosed in weather and vandal resistant housings making it suitable for use in all security applications. The ONVIF compliance of the cameras helps in easy integration, providing peace of mind for your investment. From small to very large installations, Infinique’s cameras are reliable, future proof and an ideal solution for your video surveillance needs.

The INV803F-RTN is a 8 Megapixel IP Fixed Dome Camera built with a vandal resistant aluminum housing, incorporating a high quality image sensor and IR LEDs to provide clear crisp images both during the Day and Night.

The camera comes equipped with a 3.6mm Fixed lens with remote zoom and focus for easy setup of field of view. The Auto Iris control allows the camera to automatically set its iris position to maximize image quality in all lighting conditions. The camera streams real-time video at high definition resolution using H.265 or H.264 compression optimizing the bandwidth and increasing storage efficiency.

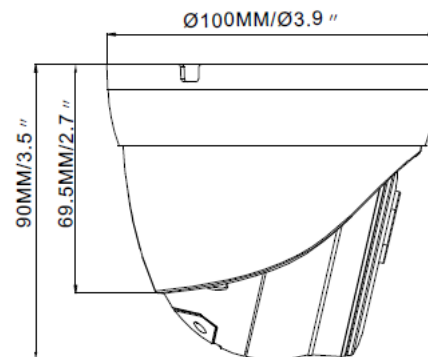
Built-in PoE for powering the camera and the flexible 3-axis bracket for fixing it on ceiling or wall, provides the convenience for installers to complete the installation quickly and with ease. These excellent IP cameras are highly suitable for video surveillance of government buildings, residential apartments, schools, colleges, universities, shopping malls, hospitals, hotels, industrial parks, and corporate offices.

Product Features

- 1/2.8" CMOS Sensor
- 8 Megapixel Resolution @20fps
- IR Distance 30 meters
- 3.6mm Fixed Zoom Lens with DC Auto Iris
- S/N Ratio of more than 50dB
- H.265 and H.264 Compression
- Up to 3 Simultaneous Video Streams
- Micro SD Card Slot for Onboard Storage
- Power Over Ethernet (PoE), IEEE 802.3af
- IP67 Rated
- Wall or Ceiling mount with 3 Axis Bracket



Dimensions



Accessories



Part No: IJBWM-100
Wall Mount Junction Box



Part No: IJBCEM-100
Ceiling Mount Junction Box



Part No: IBKTCM
Pendant Ceiling Bracket



Part No: IBBCPM
Pole Mount Bracket

INV803F-RTN

8 Megapixel Fixed Dome Camera with IR LED



IMAGE PERFORMANCE	
Image Sensor	1/2.8" CMOS
Effective Pixels (H x V)	3840 × 2160
Resolution (Megapixels)	8
Minimum Illumination	0.005 lux (AGC ON) 0 lux with IR ON
Image Rate (FPS)	20
S/N Ratio	More than 50dB
IR Distance (m)	30
LENS	
Focal Length (mm)	3.6 fixed Lens
Iris	DC Auto Iris, Manual
Lens Mount	M12
Aperture Ratio	F1.2
Angle of View (deg)	H:87 (Wide), V:44 (Wide)
VIDEO AND AUDIO	
Video Compression	H.265 Main Profile; H.264 (Baseline, MP, HP)
Main Stream	3840 x 2160, 2592 x 1944, 2592 x 1520, 2048 x 1520, 1920 x 1080, 1280 x 720
Sub Stream	1280 x 720, 640 x 480, 320 x 240
Mobile Stream	640 x 480, 320 x 240
Motion Detection	Up to 4 Zones
Electronic Shutter Control	1/5 sec ~ 1/20000 sec
Day/Night Control	Automatic / Manual
Flicker Control	50 Hz, 60 Hz
WDR Type	DWDR (Digital WDR)
White Balance	Automatic / Manual
Backlight Compensation	N/A
Automatic Gain Control	Auto/Manual, Adjustable Level
Privacy Mask Zones	Up to 4 Privacy Mask Zones
Audio	Built-in MIC
Video Bit rate	256Kbps~8Mbps, Supports CBR/VBR
OSD	Camera ID, Timestamp, Bitrate
Image Orientation	Image Flip, Mirror, LSC, CTB
Image Controls	Brightness, Contrast, Hue, Saturation, Acu, Gamma
Advanced Functions	Image Rotation, Gain Control, Anti-Fog, Anti-False Color, Anti-Shake, IR Detection
Motion Detection	Up to 4 Zones
VIDEO ANALYTICS	
Motion Detection	Multiple Zones
Advance Video Analytics	Tamper, Out Of Focus, Sound, Perimeter Intrusion, Line Crossing, Stationary Object, Pedestrian Detection, People Counting, Face Detection

LOCAL STORAGE	
Storage Type	Micro SD card, Max up to 128GB
Recording	Video and Image; Auto / Schedule/ Manual / On Event
NETWORK	
Network Port	10/100M BASE-TX, RJ-45 Connector
Cabling Type	Category 6 and higher
Network Protocol	IPv4, HTTP, HTTPS, TCP/IP, Unicast/Multicast, UDP, RTP, RTSP, RTCP, DNS, DDNS, DHCP, FTP, NTP, PPPOE, SMTP, SNMP, UPNP, IEEE802.1X
ONVIF Protocol	ONVIF Compliant Profile-S 2.2.0
Security	Multiple User Access with password protection
Users	Maximum 5 users
PC Web Browser	IE 6.0 Above; Mozilla Firefox; Google Chrome
Mobile Device	Windows Mobile, Symbian, iPhone, Android
Events	Motion, Sensor, Network Failure
Event Handlers	FTP, E-mail, Alarm Out
MECHANICAL	
Housing ID	V4DIMWH670730A1
Dimensions (mm)	100 (D) x 90 (H)
Weight (g)	410
Housing	Aluminum Die Cast
Finish	White Powder Coat, RAL 9003
Installation	Ceiling Mount / Wall Mount, 3-Axis Bracket
ELECTRICAL	
Power Consumption	320mA, 3.84W
Power Source	PoE IEEE802.3af; DC 12V; AC 24
Power Connector	3.5mm Power Jack
RTC Backup Battery	3V Magnesium Lithium
ENVIRONMENTAL	
Operating Temperature (C)	-10 to +60
Storage Temperature (C)	-10 to +60
Operating Humidity	0% - 95% non condensing
Ingress Protection Rating	IP67
IK Rating	IK10
STANDARDS COMPLIANCE	
Emissions	FCC Part 15 Subpart B Class B EN 55022:2010 IC ICES-003 Class B
Immunity	EN 55024:2010
Safety	UL 609501, EU: 2001/95/EC GPSPD

ORDERING INFORMATION	
PART NUMBER	DESCRIPTION
INV803F-RTN	Infinique Premium Series Indoor Outdoor IR Dome Camera, 8MP, 3.6mm Fixed Lens, IR Array LED, 30m IR Range, H.265, H.264, True Day and Night with ICR, Built-in MIC, SCHC Slot, ONVIF Compliant, PoE, IP67
IJBWM-100	Infinique Wall Mount Junction Box, Base Diameter 100.5 mm
IJBCEM-100	Infinique Ceiling Mount Junction Box, Base Diameter 100.5 mm
IBKTCM	Infinique Pendant Mount Ceiling Bracket, 45 (D) x 294 (H) mm
IBBCPM	Infinique Pole Mount Bracket with Metal Ties, 125 (L) x 46 (W) x 200 (H) mm

INV803F-RTN

8 Megapixel Fixed Dome Camera with IR LED



Housing Accessories

WALL MOUNT APPLICATION



Junction Box
IBBWM-100

CEILING MOUNT APPLICATION



Junction Box
IBBCM-100

PENDANT MOUNT APPLICATION



Ceiling Bracket
IBKTCM

POLE MOUNT APPLICATION



Pole Bracket
IBBCPM



Junction Box
IBBWM-100



Junction Box
IBBCM-100



Infinique, a Canadian company is a manufacturer of high performing end-to-end solutions in copper, fiber and video surveillance systems. For more information visit our website at www.infinique.com or email us at sales@infinique.com.