

INB911Z-RAWTS

6 Megapixel Integrator Series IP IR WDR Bullet Camera

Infinique offers a wide range of IP based high definition cameras from 1.4MP to 6MP available in various housing formats, including Box, Dome and Bullet. Our cameras are equipped with superior image sensor and digital signal processor to produce sharp, crisp pictures and are enclosed in weather and vandal resistant housings making it suitable for use in all security applications. The ONVIF compliance of the cameras helps in easy integration, providing peace of mind for your investment. From small to very large installations, Infinique's cameras are reliable, future proof and an ideal solution for your video surveillance needs.

INB911Z-RAWTS is a 6 Megapixel IP IR bullet camera incorporating a 1/1.8" high quality image sensor and has a 120dB wide dynamic range providing sharp images and a wide field of view maintaining high level of image detail even when the video is digitally zoomed. It also has built-in IR array LEDs providing clear crisp images both during the day and night for a 24 hour surveillance.

The camera comes equipped with a 3.6~10mm motorized lens with remote zoom and focus for easy setup of field of view. Auto Iris control allows the camera to automatically set its iris position to maximize image quality in all lighting conditions. The camera streams real-time video at high definition resolution using H.265 or H.264 compression optimizing the bandwidth and increasing storage efficiency.

Built-in PoE for powering the camera and the concealed cable bracket for fixing it on ceiling or wall, provides the convenience for installers to complete the installation quickly and with ease. These excellent IP cameras are highly suitable for video surveillance of government buildings, residential apartments, schools, colleges, universities, shopping malls, hospitals, hotels, industrial parks, and corporate offices.

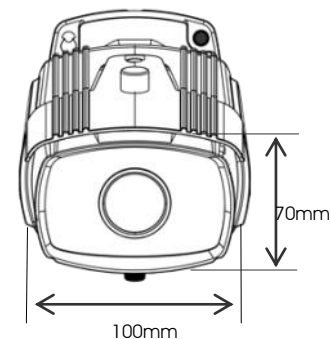
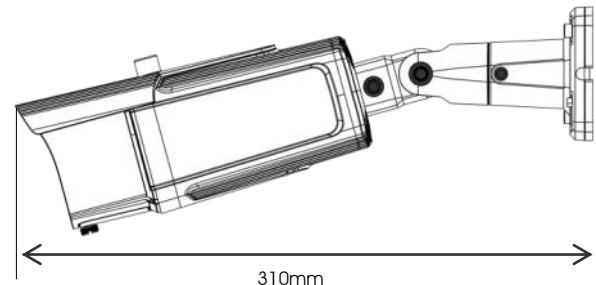
Product Features

- 1/2.8" CMOS Image Sensor
- 6 Megapixel Resolution
- Up to 30fps at 2592 x 1944 and 60fps at 1920 x 1080
- 2 pcs IR Array LED, IR Distance 60 meters
- 3.6~10mm Motorized Zoom Lens
- 120dB True Wide Dynamic Range
- H.265,H.264 and MJPEG Compression
- Up to 2 Simultaneous Video Streams
- Composite Video Output
- Micro SD Card Slot for Onboard Storage
- Audio I/O, Alarm I/O
- Power Over Ethernet (PoE), IEEE 802.3af
- Vandal Proof Aluminum Alloy Housing
- IP66 Ratings
- Wall or Ceiling mount with Concealed Cable Bracket
- ONVIF 2.42 Compliant



ONVIF

Dimensions



INB911Z-RAWTS

6 Megapixel Integrator Series IP IR WDR Bullet Camera



| IMAGE PERFORMANCE | | NETWORK | |
|----------------------------|--|---------------------------|---|
| Image Sensor | 1/1.8" CMOS | Network Port | 10/100M BASE-TX, RJ-45 Connector |
| Effective Pixels (H x V) | 2592 x 1944 | Cabling Type | Category 6 and higher |
| Resolution (Megapixels) | 6 | Network Protocol | IPv4, HTTP, HTTPS, TCP/IP, UDP, RTP, RTSP, RTCP, DNS, DDNS, DHCP, FTP, NTP, PPPOE, SMTP, UPNP, IEEE802.1X |
| Minimum Illumination | 0.01 lux (F1.2) with IR OFF, 0 lux (F1.2) with IR ON | ONVIF Protocol | ONVIF Compliant Profile-S 2.42 |
| Image Rate | 2560x1920, 2592x1944, 2048x1536 at 30fps 1920x1080, 704x576, 640x480, 640x352, 320x240 at 60fps | Security | Multiple User Access with password protection |
| S/N Ratio | More than 50dB | Users | 1 Administrator, 2 Guests |
| LENS | | PC Web Browser | IE 6.0 Above; Mozilla Firefox; Google Chrome |
| Focal Length (mm) | 3.6~10 Motorized Zoom Lens | Mobile Device | Windows Mobile, Symbian, iPhone, Android |
| Iris | DC Auto Iris, Manual | Events | Motion, Sensor, Network Failure |
| Aperture Ratio | F1.2 | Event Handlers | FTP, E-mail, Alarm Out |
| Angle of View (deg) | H:74 (Wide)~27.5 (Tele), V:56 (Wide)~33.5 (Tele) | MECHANICAL | |
| VIDEO AND AUDIO | | Housing ID | V3BOMWH661002A1 |
| Video Compression | H.265 Main Profile H.264 Baseline Profile/Main Profile/High Profile MJPEG Baseline | Dimensions (mm) | 310 (L) x 100 (W) x 70 (H) |
| Main Stream | 2592 x 1944, 2032 x 1920, 1920 x 1080, 1280 x 720 | Weight (g) | 965 |
| Sub Stream | 704 x 576, 640 x 480, 640 x 352, 320 x 240 | Housing | Vandal Resistant Aluminum Alloy Housing |
| Electronic Shutter Control | 1/25 ~ 1/8000 | Finish | White Powder Coat |
| Day/Night Control | Automatic / Manual | Installation | Ceiling Mount / Wall Mount, Concealed Cable Bracket |
| Flicker Control | 50 Hz, 60 Hz | ELECTRICAL | |
| True WDR | 120dB, Off, Low, Normal, High | Power Consumption | 180mA, 12V DC, 3W |
| White Balance | Automatic / Manual | Power Source | PoE IEEE802.3af; DC12V; AC 24 |
| Backlight Compensation | N/A | Power Connector | 2 pin terminal block |
| Privacy Mask Zones | Up to 4 Privacy Mask Zones | RTC Backup Battery | 3V Magnesium Lithium |
| Audio Compression | G.711A/G.711U/G.726 | ENVIRONMENTAL | |
| Audio Input / Output | Line level input and output, 3.5mm AV Interface | Operating Temperature (C) | -10 ° to +50 ° |
| Video Output | 2 pin terminal block | Storage Temperature (C) | -20 ° to +60 ° |
| RS-485 | 1 RS485 Interface | Operating Humidity | 0% - 85% non condensing |
| Alarm I/O | 2CH alarm Input, 1CH alarm output (Optional) | Ingress Protection Rating | IP66 |
| Video Bit rate | 30Kbps~16Mbps, Supports CBR/VBR | STANDARDS COMPLIANCE | |
| OSD | Camera ID, Timestamp, Bit rate | Emissions | FCC Part 15 Subpart B Class B EN 55022:2010 IC ICES-003 Class B |
| Image Orientation | Image Flip, Mirror, LSC, CTB | Immunity | EN 55024:2010 |
| Image Controls | Brightness, Contrast, Hue, Saturation, Acu, Gamma | Safety | UL 609501, EU: 2001/95/EC GPSD |
| Advanced Functions | Image Rotation, Gain Control, Anti-Fog, Anti-False Color, Anti-Shake | | |
| IR | 2 PCs IR Array LED, IR Distance 60 meters | | |
| VIDEO ANALYTICS | | | |
| Motion Detection | Up to 4 Zones | | |
| Advance Video Analytics | Tamper Detection, Out Of Focus Detection | | |
| LOCAL STORAGE | | | |
| Storage Type | Micro SD card, Max up to 128GB | | |
| Recording | Video and Image; Auto / Schedule/ Manual / On Event | | |

| ORDERING INFORMATION | |
|----------------------|--|
| PART NUMBER | DESCRIPTION |
| INB911Z-RAWTS | Infinique Integrator Series Outdoor IP IR Bullet Camera, 1/1.8" CMOS Sensor, 6 MP, 30fps @ 2592(H) x 1944(V), 60fps @ 1920x1080, 0 Lux, 3.6~10mm Motorized Zoom Lens, H.265,H.264, MJPEG, Dual Stream, 120dB WDR, TDN, Adjustable Bit Rate, ONVIF 2.2, Composite Video Out, Two Way Audio, Alarm I/O, SDHC Slot, PoE, IP66 weather Proof |

 Infinique, a Canadian company is a manufacturer of high performing end-to-end solutions in copper, fiber and video surveillance systems. For more information visit our website at www.infinique.com or email us at sales@infinique.com.