

INB702F-RTE

2 Megapixel IR Fixed Bullet Camera

Infinique offers a wide range of IP based high definition cameras available in various housing formats, including Box, Dome and Bullet. Our cameras are equipped with superior image sensor and digital signal processor to produce sharp, crisp pictures and are enclosed in weather and vandal resistant housings making it suitable for use in all security applications. The ONVIF compliance of the cameras helps in easy integration, providing peace of mind for your investment. From small to very large installations, Infinique’s cameras are reliable, future proof and an ideal solution for your video surveillance needs.

The INB703F-RTE is a 2 Megapixel IP IR Fixed Bullet camera built with a vandal resistant aluminum housing, incorporating a 1/3” high quality image sensor and IR Array LEDs to provide clear crisp images both during the Day and Night.

The camera comes equipped with a 2.8mm fixed lens for easy setup. The Auto Iris control allows the camera to automatically set its iris position to maximize image quality in all lighting conditions. The camera streams real-time video at high definition resolution using H.264 or H.265 compression optimizing the bandwidth and increasing storage efficiency.

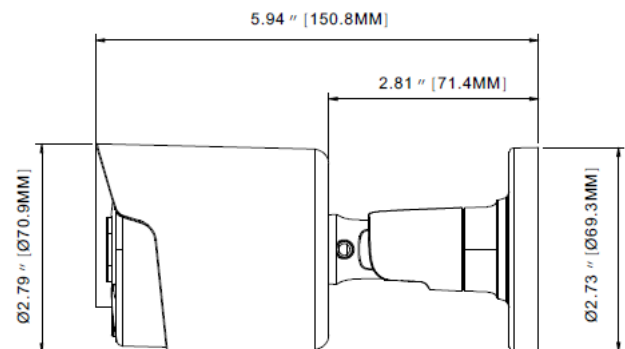
Built-in PoE for powering the camera and the flexible 3-axis bracket for fixing it on ceiling or wall, provides the convenience for installers to complete the installation quickly and with ease. These excellent IP cameras are highly suitable for video surveillance of government buildings, residential apartments, schools, colleges, universities, shopping malls, hospitals, hotels, industrial parks, and corporate offices.

Product Features

- 1/2.7” Progressive Scan Image Sensor
- 2 Megapixel Resolution at 20 fps
- IR Distance 30 meters
- 2.8mm Fixed Lens
- S/N Ratio of more than 50dB
- H.264 and H.265 Compression
- Up to 3 Simultaneous Video Streams
- Power Over Ethernet (PoE), IEEE 802.3af
- Vandal Proof Aluminum Alloy Housing
- IP66 Rated
- Wall or Ceiling mount with 3 Axis Bracket
- ONVIF Compliant



Dimensions



Accessories



Part No: IJBWM-100
Wall Mount Junction Box



Part No: IJBBCM-100
Ceiling Mount Junction Box



Part No: IBKTCM
Pendant Ceiling Bracket



Part No: IBBCPM
Pole Mount Bracket

INB702F-RTE

2 Megapixel IR Fixed Bullet Camera



IMAGE PERFORMANCE		NETWORK	
Image Sensor	1/3" Progressive Scan CMOS	Network Port	10/100M BASE-TX, RJ-45 Connector
Effective Pixels (H x V)	1920 × 1080	Cabling Type	Category 6 and higher
Resolution (Megapixels)	2	Network Protocol	IPv4, HTTP, HTTPS, TCP/IP, UDP, RTP, RTSP, RTCP, DNS, DDNS, DHCP, FTP, NTP, PPPoE, SMTP, SNMP, UPNP, IEEE802.1X
Minimum Illumination	0.002 lux (AGC ON) 0 lux with IR ON	ONVIF Protocol	ONVIF Compliant Profile-S
Image Rate (FPS)	20	Security	User Access with password protection, IP Filtering
S/N Ratio	More than 50dB	Users	1 Administrator, 6 Users
IR Distance (m)	30	PC Web Browser	IE 6.0 Above; Mozilla Firefox; Google Chrome
LENS		Mobile Device	Windows Mobile, Symbian, iPhone, Android
Focal Length (mm)	2.8 Fixed Lens	Events	Motion and Tamper Detection
Iris	DC Auto Iris	Event Handlers	FTP, E-mail
Angle of View (deg)	H:103 (Wide), V:55 (Wide)	MECHANICAL	
VIDEO AND AUDIO		Housing ID	V4B0MWH670730A1
Video Compression	H.265 Main Profile H.264 Baseline Profile/Main Profile/High Profile	Dimensions (mm)	70.9 (D) x 150.8 (L)
Main Stream	1920 x 1080, 1280 x 960, 1280 x 720	Weight (g)	358
Sub Stream	1280 x 720, 640 x 480, 320 x 240	Housing	Vandal Resistant Aluminum Alloy Housing
Mobile Stream	640 x 480, 320 x 240	Finish	White Powder Coat, RAL 9003 Black Powder Coat, RAL 9004
Electronic Shutter Control	1/5 ~ 1/20000	Installation	Ceiling Mount / Wall Mount, 3-Axis Bracket
Day/Night Control	Automatic / Manual	ELECTRICAL	
Flicker Control	50 Hz, 60 Hz	Power Consumption	320mA 3.84W
Digital WDR	On / Off / Adjustable Level	Power Source	PoE IEEE802.3af; DC12V
3D Noise Reduction	Auto / Manual / Disable	Power Connector	3.5mm Power Jack
White Balance	Automatic / Manual / Indoor	RTC Backup Battery	3V Magnesium Lithium
Backlight Compensation	On / Off	ENVIRONMENTAL	
High Light Compensation	On / Off	Operating Temperature (C)	-30 to +55
Automatic Gain Control	Adjustable Level	Storage Temperature (C)	-30 to +60
Privacy Mask Zones	Up to 4 Privacy Mask Zones	Operating Humidity	0% - 95% non condensing
Audio	Built-in MIC	Ingress Protection Rating	IP67
Audio Compression	G.711A/ G.711U/ G.726	IK Rating	IK07
Audio Input/ Output	Line level input and output, 3.5mm A/V Interface	STANDARDS COMPLIANCE	
Video Bit rate	256Kbps~8Mbps, Supports CBR/VBR	Emissions	FCC Part 15 Subpart B Class B EN 55022:2010 IC ICES-003 Class B
OSD	Camera ID, Timestamp	Immunity	EN 55024:2010
Image Orientation	Image Flip, Corridor Mode, Rotation	Safety	UL 609501, EU: 2001/95/EC GPSD
Image Controls	Brightness, Contrast, Hue, Saturation		
Advanced Functions	Image Rotation, Gain Control, Anti-Fog, Anti-False Color, Anti-Shake, IR Detection		
VIDEO ANALYTICS			
Motion Detection	Multiple Zones		
Advance Video Analytics	Tamper, Out Of Focus, Sound, Perimeter Intrusion, Line Crossing, Stationary Object, Pedestrian Detection, People Counting, Face Detection		

ORDERING INFORMATION	
PART NUMBER	DESCRIPTION
INB702F-RTE	Infinique Premium Series Indoor Outdoor IR Bullet Camera, 2MP, 2.8mm Fixed Lens, IR Array LED, 30m IR Range, H.265, H.264, MJPEG, True Day and Night with ICR, Built-in MIC, ONVIF Compliant, PoE, IP66, Colour White
INB702F-RTEB	Infinique Premium Series Indoor Outdoor IR Bullet Camera, 2MP, 2.8mm Fixed Lens, IR Array LED, 30m IR Range, H.265, H.264, MJPEG, True Day and Night with ICR, Built-in MIC, ONVIF Compliant, PoE, IP66, Colour Black
IJBWMM-100	Infinique Wall Mount Junction Box, Base Diameter 100.5 mm
IJBBCM-100	Infinique Ceiling Mount Junction Box, Base Diameter 100.5 mm
IBKTCM	Infinique Pendant Mount Ceiling Bracket, 45 (D) x 294 (H) mm
IBBCPM	Infinique Pole Mount Bracket with Metal Ties, 125 (L) x 46 (W) x 200 (H) mm

INB702F-RTE

2 Megapixel IR Fixed Bullet Camera



Housing Accessories

WALL MOUNT APPLICATION



Junction Box
IBBWM-100

CEILING MOUNT APPLICATION



Junction Box
IBBBCM-100

PENDANT MOUNT APPLICATION



Ceiling Bracket
IBKTCM

POLE MOUNT APPLICATION



Pole Bracket
IBBCPM



Junction Box
IBBWM-100



Junction Box
IBBBCM-100



Infinique, a Canadian company is a manufacturer of high performing end-to-end solutions in copper, fiber and video surveillance systems. For more information visit our website at www.infinique.com or email us at sales@infinique.com.