

INB503F-RWTH

5 Megapixel Thermal Bullet Camera with IR LED and Smart Functions

Infinique offers a wide range of IP based high definition cameras available in various housing formats, including Box, Dome and Bullet. Our cameras are equipped with superior image sensor and digital signal processor to produce sharp, crisp pictures and are enclosed in weather and vandal resistant housings making it suitable for use in all security applications. The ONVIF compliance of the cameras helps in easy integration, providing peace of mind for your investment. From small to very large installations, Infinique’s cameras are reliable, future proof and an ideal solution for your video surveillance needs.

The INB503F-RWTH Thermal Camera has been designed to offer a reliable, robust, and high-quality solution for measuring body temperature and facial recognition. The camera housing is ruggedized and has three different streams, regular color high resolution video, thermal video and overlay of regular and thermal video streams. Powered by PoE, the camera becomes an IP-enabled device, and has the ability to record video on any ONVIF compliant recorder or VMS. Operators can select to view any of the three streams, regular color video, thermal video image or the overlay image through the network connection.

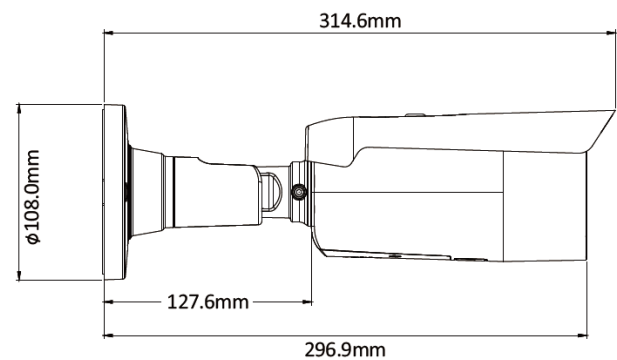
These cameras can be used for Perimeter protection, or to do a quick and accurate scan of a large number of people to help detect individuals with a higher body temperatures, a major symptom of viral and bacterial infections and or in applications where fire detection is required.

Product Features

- Dual Sensors - Optical and Thermal
- Thermal Sensor - 256 x 192, 12µm ≤ 40mk @ 25°C F1.0
- Optical Sensor - 5 Megapixel Resolution @25/30fps
- Supports Optical and Thermal Image Overlay
- Detects Temperature range of -20°C ~ 150°C
- AI functions support for both Thermal and Optical
- IR Distance 30 meters
- 3.6mm Fixed Lens with DC Auto Iris
- S/N Ratio of more than 50dB
- H.265, H265+, H.264, H264+ Compression
- Up to 3 Simultaneous Video Streams
- Micro SD Card Slot for Onboard Storage
- Power Over Ethernet (PoE), IEEE 802.3af
- IP67 Rated
- Wall or Ceiling mount with 3 Axis Bracket
- ONVIF Compliant



Dimensions



Accessories



Part No: IJBWM-134
Wall Mount Junction Box



Part No: IJBWMO-134
Wall Mount Junction Box



Part No: IJBBCM-134
Ceiling Mount Junction Box



Part No: IBKTCM
Pendant Ceiling Bracket



Part No: IBBCPM
Pole Mount Bracket



Part No: IBCRWM
Corner Mount Bracket



Part No: IJBDWM-DC
Wall Mount Junction Box

| IMAGE PERFORMANCE - Optical | |
|-----------------------------|--|
| Image Sensor | 1/2.7" CMOS |
| Effective Pixels (H x V) | 2592 x 1944 |
| Resolution (Megapixels) | 5 |
| Minimum Illumination | 0.003 lux (F1.6 AGC ON), 0 lux with IR ON |
| Image Rate (FPS) | 25/30 |
| S/N Ratio | More than 50dB |
| IR Distance (m) | 30 |
| LENS | |
| Focal Length (mm) | 3.6 fixed Lens |
| Iris | DC Auto Iris, Manual |
| Lens Mount | M12 |
| Aperture Ratio | F1.1 |
| Angle of View (deg) | H:81, V:57, D:108 |
| VIDEO AND AUDIO | |
| Video Compression | H.265 Main Profile; H.264 (Baseline, MP, HP), MJPEG |
| Main Stream | Visible Light: 2592 x 1944, 2592x1520, 2048x1536, 1920 x 1080, 1280 x 960, 1280 x 720 Thermal: 1280 x 720, 640 x 480; 50/60Hz @ 25fps |
| Sub Stream | Visible Light: 1280 x 720, 640 x 480, 320 x 240 Thermal: 640 x 480, 320 x 240; 50/60Hz @ 25fps |
| Mobile Stream | Visible Light: 640 x 480, 320 x 240 |
| Electronic Shutter Control | 1/5 sec ~ 1/1000000 sec |
| Day/Night Control | Automatic / Manual |
| Flicker Control | 50 Hz, 60 Hz |
| True WDR | 130dB Variable Coefficient |
| White Balance | Automatic / Manual |
| Automatic Gain Control | Auto/Manual, Adjustable Level |
| Alarm Input / Output | 1 Ch / 1 Ch Relay Out |
| Audio Compression | G.711u/G.711a |
| Audio Input / Output | 1 Ch / 1 Ch Out, Built-in Speaker |
| Video Bit rate | 256K-8M, Supports CBR/VBR |
| OSD | Camera ID, Timestamp, Bitrate |
| Hard Reset | Yes |
| VIDEO ANALYTICS | |
| Motion Detection | Multiple Zones |
| Advance Video Analytics | Optical: Perimeter Intrusion, Region Entrance/Exit, Line Crossing, Pedestrian and Vehicle Detection, Object Detection, Crossing Count, Crowd Density, Queue Length, Heat MAP, Rare Sound, Face Detection Thermal: Perimeter Intrusion, Region Entrance/Exit, Line Crossing, Fire Detection, Temperature Exception Alarm, Pedestrian & Vehicle Detection |
| THERMAL FEATURES | |
| Temp Measurement | Global, 12 points, 12 areas, and 12 line |
| Temperature Range | -20°C to + 150°C (-4°F to + 302°F) |
| Temperature Accuracy | ±8°C (± 14.4 °F) |
| Fire Detection | Yes |
| LOCAL STORAGE | |
| Storage Type | Micro SD card, Max up to 256GB |
| Recording | Video and Image; Auto / Schedule/ Manual / On Event |

| IMAGE PERFORMANCE - Thermal | |
|-----------------------------|--|
| Image Sensor | Vanadium Oxide Uncooled Focal Plane Arrays |
| Effective Pixels (H x V) | 256 x 192 |
| Pixel Interval | 12µm |
| Response Waveband | 8-14µm |
| NETD | ≤40mk @ 25°C F1.0, 25Hz |
| LENS - Thermal | |
| Focal Length (mm) | 3.2 |
| IFOV (milliradians) | 3.75 |
| Field Of View (deg) | H:56, V:42 |
| Min Focus Distance (m) | 0.3 |
| Heat Detection Distance | 20m (66ft) |
| VCA Distance Human | 18.6m (61ft) |
| VCA Distance Vehicle | 49m (161ft) |
| NETWORK | |
| Network Port | 10/100M BASE-TX, RJ-45 Connector |
| Cabling Type | Category 6 and higher |
| Network Protocol | IPv4, HTTP, HTTPS, TCP/IP, Unicast/Multicast, UDP, RTP, RTSP, RTCP, DNS, DDNS, DHCP, FTP, NTP, PPPOE, SMTP, SNMP, UPNP, IEEE802.1X |
| ONVIF Protocol | ONVIF Compliant |
| Security | User Authentication, HTTPS, IP Filtering |
| Users | Maximum 3 users |
| PC Web Browser | IE 10/11, Firefox, Chrome, Edge, Safari |
| Mobile Device | Windows Mobile, Symbian, iPhone, Android |
| Events | Motion, Sensor, Network Failure |
| Event Handlers | FTP, E-mail, Alarm Out |
| MECHANICAL | |
| Housing ID | V4BOMWH671030T1 |
| Dimensions (mm) | 108 (Dia) x 314.6 (L) |
| Weight (g) | 1250 |
| Housing | Aluminum Die Cast |
| Finish | White Powder Coat, RAL 9003 |
| Installation | Ceiling Mount / Wall Mount, 3-Axis Bracket |
| ELECTRICAL | |
| Power Consumption | 10.4W |
| Power Source | PoE IEEE802.3af; DC12V |
| Power Connector | 3.5mm Power Jack |
| RTC Backup Battery | 3V Magnesium Lithium |
| ENVIRONMENTAL | |
| Operating Temperature (C) | -35 to +60 |
| Storage Temperature (C) | -10 to +60 |
| Operating Humidity | 0% - 95% non condensing |
| Ingress Protection Rating | IP67 |
| IK Rating | IK10 |
| STANDARDS COMPLIANCE | |
| Emissions | FCC Part 15 Subpart B Class B EN 55022:2010 IC ICES-003 Class B |
| Immunity | EN 55024:2010 |
| Safety | UL 609501, EU: 2001/95/EC GPSD |

INB503F-RWTH

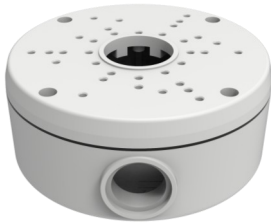
5 Megapixel Thermal Bullet Camera with IR LED and Smart Functions



| ORDERING INFORMATION | |
|----------------------|--|
| PART NUMBER | DESCRIPTION |
| INB503F-RWTH | Infinique Premium Series Indoor Outdoor IR Thermal Bullet Camera, Optical: 5MP, Thermal: 256x192, 3.6mm Fixed Lens, IR Array LED, 30m IR Range, H.265, H.264, True WDR, True Day and Night with ICR, Built-in MIC, SCHC Slot, ONVIF Compliant, PoE, IP67 |
| IJBWWM-134 | Infinique Wall Mount Junction Box, Base Diameter 134 mm |
| IJBBCM-134 | Infinique Ceiling Mount Junction Box, Base Diameter 134 mm |
| IBKTCM | Infinique Pendant Mount Ceiling Bracket, 45 (D) x 294 (H) mm |
| IBBCPM | Infinique Pole Mount Bracket with Metal Ties, 125 (L) x 46 (W) x 200 (H) mm |
| IBCRWM | Infinique Corner Mount Bracket, 200 (L) x 130 (W) x 172.8 (D) mm |
| IJBDWM-DC | Infinique Dual Camera Junction Box |
| IJBWMO-134 | Infinique Camera Junction Box, Wall Mount, Outdoor 149 (L) x 140.5 (W) x 66.9 (H) mm |

Housing Accessories

WALL MOUNT APPLICATION



Junction Box
IJBWWM-134

CEILING MOUNT APPLICATION



Junction Box
IJBBCM-134

PENDANT MOUNT APPLICATION



Ceiling Bracket
IBKTCM

POLE MOUNT APPLICATION



Pole Bracket
IBBCPM



Junction Box
IJBWWM-134



Junction Box
IJBBCM-134

INB503F-RWTH

5 Megapixel Thermal Bullet Camera with IR LED and Smart Functions



Housing Accessories

WALL MOUNT APPLICATION



Junction Box
IBBWMO-134

CORNER MOUNT APPLICATION



Corner Bracket
IBCRWM



Junction Box
IBBWM-134

WALL MOUNT APPLICATION



Junction Box
IBDWM-DC



Infinique, a Canadian company is a manufacturer of high performing end-to-end solutions in copper, fiber and video surveillance systems. For more information visit our website at www.infinique.com or email us at sales@infinique.com.