

# INB502F-RTN

## 5 Megapixel Fixed Bullet Camera with IR LED

Infinique offers a wide range of IP based high definition cameras available in various housing formats, including Box, Dome and Bullet. Our cameras are equipped with superior image sensor and digital signal processor to produce sharp, crisp pictures and are enclosed in weather and vandal resistant housings making it suitable for use in all security applications. The ONVIF compliance of the cameras helps in easy integration, providing peace of mind for your investment. From small to very large installations, Infinique’s cameras are reliable, future proof and an ideal solution for your video surveillance needs.

The INB502F-RTN is a 5 Megapixel IP Fixed Bullet camera built with a vandal resistant aluminum housing, incorporating a high quality image sensor and IR Array LEDs to provide clear crisp images both during the Day and Night.

The camera comes equipped with a 2.8mm fixed lens for easy setup. The Auto Iris control allows the camera to automatically set its iris position to maximize image quality in all lighting conditions. The camera streams real-time video at high definition resolution using H.264 or H.265 compression optimizing the bandwidth and increasing storage efficiency.

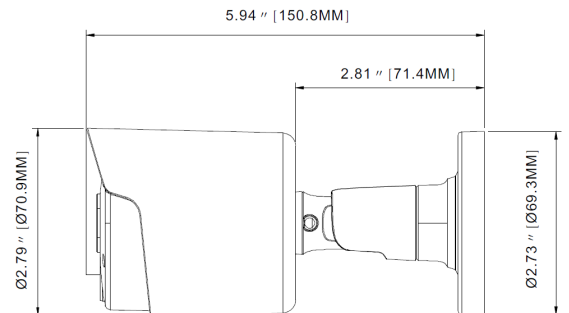
Built-in PoE for powering the camera and the flexible 3-axis bracket for fixing it on ceiling or wall, provides the convenience for installers to complete the installation quickly and with ease. These excellent IP cameras are highly suitable for video surveillance of government buildings, residential apartments, schools, colleges, universities, shopping malls, hospitals, hotels, industrial parks, and corporate offices.

### Product Features

- 1/2.7" Progressive Scan Image Sensor
- 5 Megapixel Resolution @20fps
- Array IR LEDs, IR Distance 30 meters
- 2.8mm Fixed Lens
- S/N Ratio of more than 50dB
- H.264 and H.265 Compression
- Up to 3 Simultaneous Video Streams
- Power Over Ethernet (PoE), IEEE 802.3af
- Vandal Proof Aluminum Alloy Housing
- IP66 Ratings
- Wall or Ceiling mount with 3 Axis Bracket
- ONVIF Compliant



### Dimensions



### Accessories



Part No: IJBWBM-100  
Wall Mount Junction Box



Part No: IJBBCM-100  
Ceiling Mount Junction Box



Part No: IBKTCM  
Pendant Ceiling Bracket



Part No: IBBCPM  
Pole Mount Bracket

# INB502F-RTN

## 5 Megapixel Fixed Bullet Camera with IR LED



IMAGE PERFORMANCE	
Image Sensor	1/2.7" Progressive Scan CMOS
Effective Pixels (H x V)	2592 × 1944
Resolution (Megapixels)	5
Minimum Illumination	0.002 lux (AGC ON) 0 lux with IR ON
Image Rate (FPS)	20
S/N Ratio	More than 50dB
IR Distance (m)	30
LENS	
Focal Length (mm)	2.8 Fixed Lens
Iris	DC Auto Iris
Lens Mount	M12
Aperture Ratio	F1.6
Angle of View (deg)	H:110, V:58 (Wide)
VIDEO AND AUDIO	
Video Compression	H.265 Main Profile H.264 Baseline Profile/Main Profile/High Profile
Main Stream	2592 x 1944, 2592x1520, 2048x1536, 1920 x 1080, 1280 x 960, 1280 x 720
Sub Stream	1280 x 720, 640 x 480, 320 x 240
Mobile Stream	320 x 240
Electronic Shutter Control	1/5 ~ 1/20000
Day/Night Control	Automatic / Manual
Flicker Control	50 Hz, 60 Hz
WDR Type	DWDR (Digital WDR)
3D Noise Reduction	Auto / Manual / Disable
White Balance	Automatic / Manual / Indoor
Backlight Compensation	On / Off
High Light Compensation	On / Off
Automatic Gain Control	Adjustable Level
Privacy Mask Zones	Up to 4 Privacy Mask Zones
Audio	Built-in MIC
Video Bit rate	256Kbps~8Mbps, Supports CBR/VBR
OSD	Camera ID, Timestamp
Image Orientation	Image Flip, Corridor Mode, Rotation
Image Controls	Brightness, Contrast, Hue, Saturation
Advanced Functions	Image Rotation, Gain Control, Anti-Fog, Anti-False Color, Anti-Shake, IR Detection
LOCAL STORAGE	
Storage Type	Micro SD Card, Max up to 256GB
Recording	Video and Image; Auto / Schedule/ Manual / On Event

NETWORK	
Network Port	10/100M BASE-TX, RJ-45 Connector
Cabling Type	Category 6 and higher
Network Protocol	IPv4, HTTP, HTTPS, TCP/IP, UDP, RTP, RTSP, RTCP, DNS, DDNS, DHCP, FTP, NTP, PPPoE, SMTP, SNMP, UPNP, IEEE802.1X
ONVIF Protocol	ONVIF Compliant Profile-S
Security	User Access with password protection, IP Filtering
Users	1 Administrator, 6 Users
PC Web Browser	IE 6.0 Above; Mozilla Firefox; Google Chrome
Mobile Device	Windows Mobile, Symbian, iPhone, Android
Events	Motion and Tamper Detection
Event Handlers	FTP, E-mail
MECHANICAL	
Housing ID	V4BOMWH660730S1
Dimensions (mm)	70.9 (D) x 150.8 (L)
Weight (g)	358
Housing	Vandal Resistant Aluminum Alloy Housing
Finish	White Powder Coat, RAL 9003
Installation	Ceiling Mount / Wall Mount, 3-Axis Bracket
ELECTRICAL	
Power Consumption	320mA, 3.84 Watts
Power Source	PoE IEEE802.3af; DC12V
Power Connector	3.5mm Power Jack
RTC Backup Battery	3V Magnesium Lithium
ENVIRONMENTAL	
Operating Temperature (C)	-30 to +55
Storage Temperature (C)	-30 to +60
Operating Humidity	0% - 95% non condensing
Ingress Protection Rating	IP66
Impact Rating	IK07
STANDARDS COMPLIANCE	
Emissions	FCC Part 15 Subpart B Class B EN 55022:2010 IC ICES-003 Class B
Immunity	EN 55024:2010
Safety	UL 609501, EU: 2001/95/EC GPSD

ORDERING INFORMATION	
PART NUMBER	DESCRIPTION
INB502F-RTN	Infinique Premium Series Indoor Outdoor IR Bullet Camera, 5MP, 2.8mm Fixed Lens, IR Array LED, 30m IR Range, H.265, H.264, True Day and Night with ICR, Built-in MIC, SCHK Slot, ONVIF Compliant, PoE, IP66
IJBWWM-100	Infinique Wall Mount Junction Box, Base Diameter 100.5 mm
IJBBCM-100	Infinique Ceiling Mount Junction Box, Base Diameter 100.5 mm
IBKTCM	Infinique Pendant Mount Ceiling Bracket, 45 (D) x 294 (H) mm
IBBCPM	Infinique Pole Mount Bracket with Metal Ties, 125 (L) x 46 (W) x 200 (H) mm

# INB502F-RTN

5 Megapixel Fixed Bullet Camera with IR LED



## Housing Accessories

### WALL MOUNT APPLICATION



Junction Box  
IBBWM-100

### CEILING MOUNT APPLICATION



Junction Box  
IBBBCM-100

### PENDANT MOUNT APPLICATION



Ceiling Bracket  
IBKTCM

### POLE MOUNT APPLICATION



Pole Bracket  
IBBCPM



Junction Box  
IBBWM-100



Junction Box  
IBBBCM-100



Infinique, a Canadian company is a manufacturer of high performing end-to-end solutions in copper, fiber and video surveillance systems. For more information visit our website at [www.infinique.com](http://www.infinique.com) or email us at [sales@infinique.com](mailto:sales@infinique.com).