

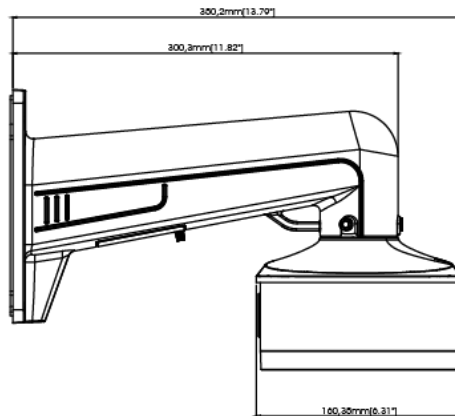
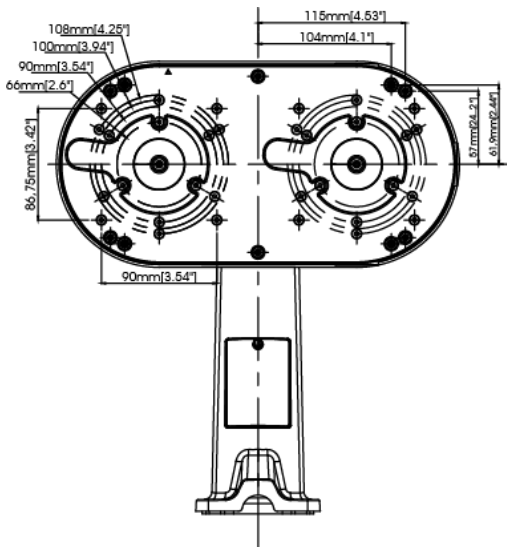
IJDWM-DC

IP Dual Camera Junction Box

Infinique's IJDWM-DC Dual Camera Junction Box provides an easy and effective way to mount video surveillance cameras on wall. The Dual camera Junction Box is waterproof and protects the Ethernet connectors from moisture and dust. It safely conceals all the cabling giving the finished installation an aesthetic look. These junction boxes are suitable for installation both indoor and outdoor environment.

Product Features

- IP Dual Camera Junction Box
- IP66/IP67 Rated
- Vandal Resistant with IK10 Ratings
- Aluminum Alloy Die-Cast Casing
- White Powder Coat RAL 9003
- Junction Box Dimensions 420 x 355 x 360mm
- Holder Bracket Dimensions 460 x 395 x 350mm
- Junction Box Cover Dimensions 420 x 355 x 360mm
- Total Weight 28.45 Kgs



ORDERING INFORMATION

PART NUMBER	DESCRIPTION
IJDWM-DC	Dual Camera Junction Box, Junction Box Dimensions 420 x 355 x 360mm, Holder Bracket Dimensions 460 x 395 x 350mm, Junction Box Cover Dimensions 420 x 355 x 360mm, Total Weight 28.45 Kgs



Infinique, a Canadian company is a manufacturer of high performing end-to-end solutions in copper, fiber and video surveillance systems. For more information visit our website at www.infinique.com or email us at sales@infinique.com.