

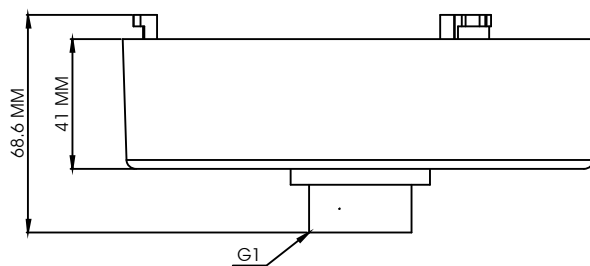
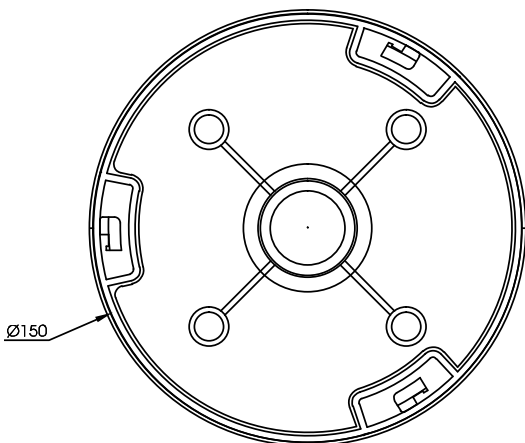
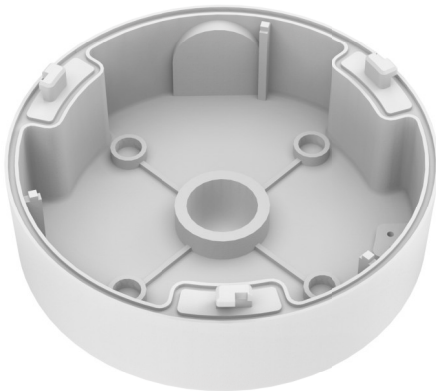
IJBDCM-150

IP Camera Ceiling Mount Junction Box

Infinique's IJBDCM-150 Ceiling Mount Junction Box provides an easy and effective way to mount video surveillance cameras in the wall. The junction box is waterproof and protects the Ethernet connectors from moisture and dust. It safely conceals all the cabling giving the finished installation an aesthetic look. These junction boxes are suitable for installation both indoor and outdoor environment.

Product Features

- Indoor and Outdoor Ceiling Mount Junction Box
- IP66/IP67 Rated
- Vandal Resistant with IK10 Ratings
- G3/4 Conduit Interfaces
- Aluminum Alloy Die-Cast Casing
- White Powder Coat RAL 9003
- Dimensions 150 (D) 41 (H) mm
- Weight 518 gms



ORDERING INFORMATION	
PART NUMBER	DESCRIPTION
IJBDCM-150	Infinique Camera Junction Box, Ceiling Mount, 150 (D) 41 (H) mm

Infinique, a Canadian company is a manufacturer of high performing end-to-end solutions in copper, fiber and video surveillance systems. For more information visit our website at www.infinique.com or email us at sales@infinique.com.